

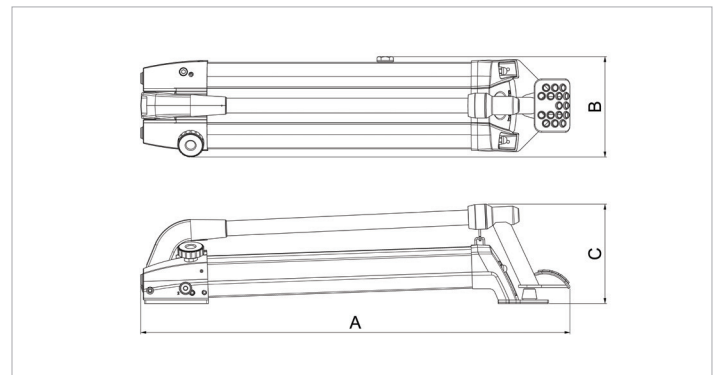
Technical specification sheet

PA 18 F 2 | Foot Pump

| Specifications | | | |
|----------------------------------|-----|--|-----------------|
| article number | | | 100.142.036 |
| short description | | | Foot Pump |
| model | | | PA 18 F 2 |
| max. working pressure | psi | | 10443 |
| capacity oil tank (effective) | oz | | 60.9 |
| capacity oil tank | oz | | 67.3 |
| number of stages | | | 2 |
| first stage output (per stroke) | oz | | 1.45 |
| second stage output (per stroke) | oz | | 0.10 |
| first stage pressure range | psi | | 0 - 653 |
| second stage pressure range | psi | | 653 - 10443 |
| max. operating force | lb | | 81.6 |
| connection | | | 3/8" NPT female |
| operator type | | | foot |
| double acting optional | | | yes |
| weight, ready for use | lb | | 18.3 |

| Technical drawing dimensions | | | |
|------------------------------|----|--|------|
| dimension A | in | | 28.5 |
| dimension B | in | | 6.7 |
| dimension C | in | | 6.6 |

| Accessories | | | |
|---|--|--|-------------|
| Double Acting Valve VM 43 L | | | 100.182.175 |
| Pressure Gauge Set Ø 60 - VM 43 L Valve | | | 100.182.216 |



holmatro.com

© Holmatro 2024-04-15

While the greatest care has been devoted to the content, it is possible that the information in this printed matter is incorrect or incomplete. Holmatro B.V. and its affiliated companies (hereafter: Holmatro) cannot be held liable in any way for the consequences of activities undertaken on the basis of this printed matter. Values can vary within the manufacturer measurements. If you have any doubts about the correctness or completeness of the information, you shall contact Holmatro (T +31 (0)162-751480). Nothing from this printed matter can be copied and/or made public in any way without the explicit authorisation of Holmatro.