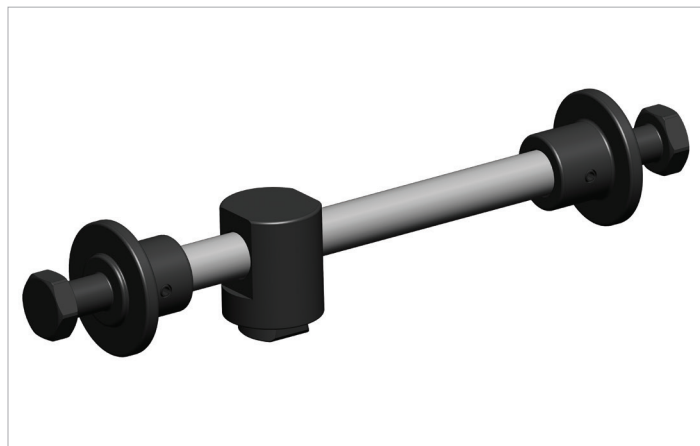


Technical specification sheet

LDR 30 B | Locking Device Rerailing

Specifications			
article number			100.002.869
model			LDR 30 B
short description			Locking Device Rerailing
max. horizontal displacement	mm		230
weight, ready for use	kg		5.0



[holmatro.com](https://www.holmatro.com)

© Holmatro 2023-12-30

While the greatest care has been devoted to the content, it is possible that the information in this printed matter is incorrect or incomplete. Holmatro B.V. and its affiliated companies (hereafter: Holmatro) cannot be held liable in any way for the consequences of activities undertaken on the basis of this printed matter. Values can vary within the manufacturer measurements. If you have any doubts about the correctness or completeness of the information, you shall contact Holmatro (T +31 (0)162-751480). Nothing from this printed matter can be copied and/or made public in any way without the explicit authorisation of Holmatro.