

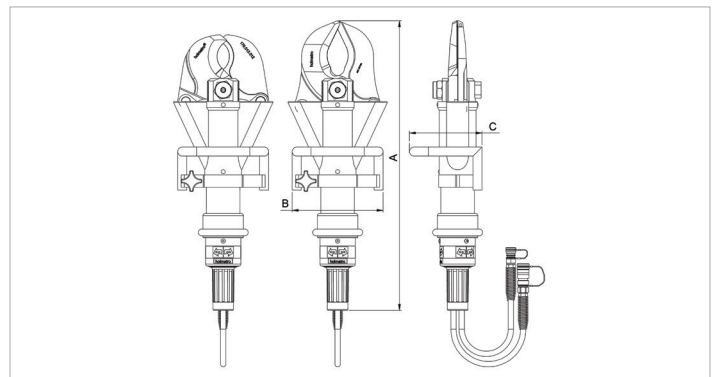
Technical specification sheet

ICU 40 A 20 | Mobile Cutter

Specifications		
article number		170.012.042
model		ICU 40 A 20
max. working pressure	psi	7252
blade type		20 short
cutter type		mobile
short description		Mobile Cutter
max. cutting force	lbf	133537
max. cutting opening	in	4
required oil content (effective)	oz	5.5
weight, ready for use	lb	41.9
temperature range	°F	-4 +176

Technical drawing dimensions		
dimension A	in	28.3
dimension B	in	10.6
dimension C	in	8.6

Accessories		
Trolley ICU		170.182.003
Blades, Set 30 Standard (ICU 40)		170.013.064



holmatro.com

© Holmatro 2024-05-28

While the greatest care has been devoted to the content, it is possible that the information in this printed matter is incorrect or incomplete. Holmatro B.V. and its affiliated companies (hereafter: Holmatro) cannot be held liable in any way for the consequences of activities undertaken on the basis of this printed matter. Values can vary within the manufacturer measurements. If you have any doubts about the correctness or completeness of the information, you shall contact Holmatro (T +31 (0)162-751480). Nothing from this printed matter can be copied and/or made public in any way without the explicit authorisation of Holmatro.