

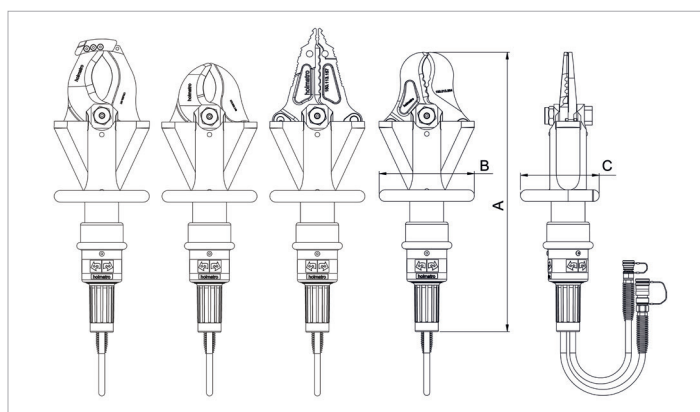
## Technical specification sheet

# ICU 05 A 30 | Mobile Cutter

Specifications		
article number		170.012.100
model		ICU 05 A 30
blade type		30 standard
cutter type		mobile
short description		Mobile Cutter
max. working pressure	bar/Mpa	500 / 50
max. cutting opening	mm	98
max. cutting force	kN/t	124 / 12.6
required oil content (effective)	cc	37
weight, ready for use	kg	9.4
temperature range	°C	-20 +80

Technical drawing dimensions		
dimension A	mm	580
dimension B	mm	205
dimension C	mm	170

Accessories		
Trolley ICU		170.182.003
Blades, Set 10 Cable (ICU 05)		170.013.058



[holmatro.com](http://holmatro.com)

© Holmatro 2024-05-28

While the greatest care has been devoted to the content, it is possible that the information in this printed matter is incorrect or incomplete. Holmatro B.V. and its affiliated companies (hereafter: Holmatro) cannot be held liable in any way for the consequences of activities undertaken on the basis of this printed matter. Values can vary within the manufacturer measurements. If you have any doubts about the correctness or completeness of the information, you shall contact Holmatro (T +31 (0)162-751480). Nothing from this printed matter can be copied and/or made public in any way without the explicit authorisation of Holmatro.