

Technical specification sheet

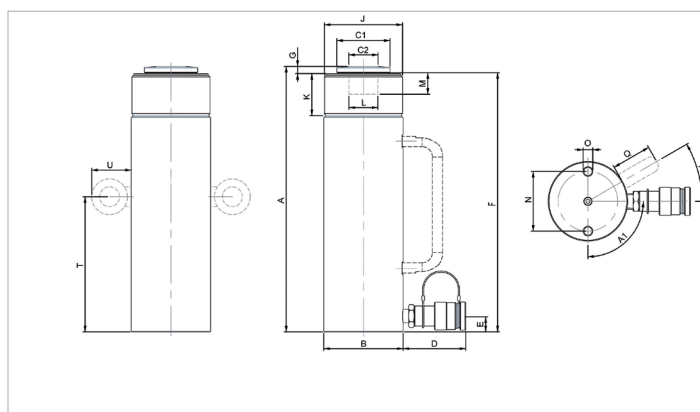
HGC 15 S 10 | Multi Purpose Cylinder

| Specifications | | |
|----------------------------------|-----------------|------------------------|
| article number | | 100.112.229 |
| short description | | Multi Purpose Cylinder |
| model | | HGC 15 S 10 |
| max. working pressure | bar/Mpa | 720 / 72 |
| tonnage | t | 15 |
| stroke | mm | 100 |
| closed height | mm | 198 |
| capacity | kN/t | 171 / 17.4 |
| effective pressure area | cm ² | 23.8 |
| required oil content (effective) | cc | 238 |
| connection | | A 118 |
| cylinder type | | multi purpose |
| acting type | | single |
| return type | | spring |
| material | | steel |
| weight, ready for use | kg | 4.9 |
| ASME | | B30.1 |

| Technical drawing dimensions | | |
|------------------------------|------------|----------------|
| dimension A | mm | 198 |
| dimension B | mm | 70 |
| dimension C1 | mm | 47 |
| dimension C2 | mm | 23 |
| dimension D | mm | 80 |
| dimension E | mm | 20 |
| dimension F | mm | 192 |
| dimension G | mm | 7 |
| dimension J | threadsize | 2 3/4" - 16-UN |
| dimension K | mm | 31 |
| dimension L | threadsize | 1" - 8-UNC |
| dimension M | mm | 27 |
| dimension N | mm | 48 |
| dimension O | threadsize | M10x15 (2x) |
| angle A1 | ° | 90 |

| Standard supplied with | |
|---|--|
| <ul style="list-style-type: none"> • Collar thread and base mounting holes • Internal plunger thread on all models to 50 tons • High flow female coupler A118 • Flat saddle | |

| Accessories | |
|----------------------------------|-------------|
| Aluminium Base Plate HGC 15 / 25 | 100.003.005 |



holmatro.com

© Holmatro 2023-11-30

While the greatest care has been devoted to the content, it is possible that the information in this printed matter is incorrect or incomplete. Holmatro B.V. and its affiliated companies (hereafter: Holmatro) cannot be held liable in any way for the consequences of activities undertaken on the basis of this printed matter. Values can vary within the manufacturer measurements. If you have any doubts about the correctness or completeness of the information, you shall contact Holmatro (T +31 (0)162-751480). Nothing from this printed matter can be copied and/or made public in any way without the explicit authorisation of Holmatro.