

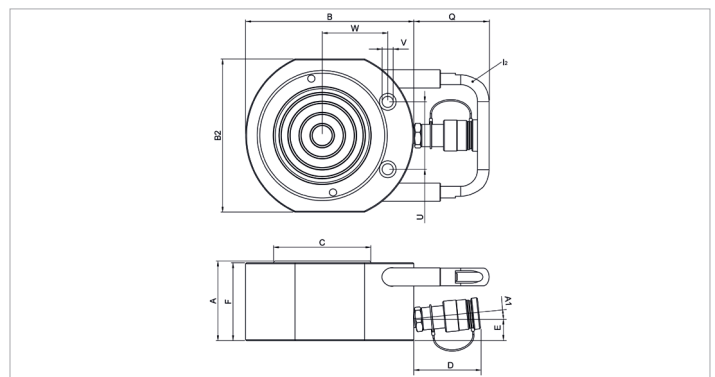
Technical specification sheet

HFC 10 S 1.5 | Flat Cylinder

| Specifications | | |
|----------------------------------|---------|---------------|
| article number | | 100.112.292 |
| short description | | Flat Cylinder |
| model | | HFC 10 S 1.5 |
| max. working pressure | psi | 10443 |
| tonnage | lb | 22046.0 |
| stroke | in | 0.6 |
| closed height | in | 1.8 |
| capacity | lbf | 22436 |
| effective pressure area | sq. in. | 2.2 |
| required oil content (effective) | oz | 1 |
| connection | | A 118 |
| cylinder type | | flat |
| acting type | | single |
| return type | | spring |
| material | | steel |
| weight, ready for use | lb | 3.5 |
| ASME | | B30.1 |

| Technical drawing dimensions | | |
|------------------------------|----|-----|
| dimension A | in | 1.8 |
| dimension B | in | 3.3 |
| dimension B2 | in | 2.2 |
| dimension C | in | 1.4 |
| dimension D | in | 3 |
| dimension E | in | 0.7 |
| dimension F | in | 1.8 |
| dimension U | in | 1.5 |
| dimension V | in | 0.3 |
| dimension W | in | 1.3 |

| Standard supplied with | |
|------------------------|--|
| • | Standard provided with fixing holes for easy assembly |
| • | Dirt scraper ring - Protects against pollution - Increases the life span |
| • | Superior seal for an excellent static and dynamic sealing |
| • | Splined plunger, no saddle needed |
| • | High flow female coupler A118 |



holmatro.com

© Holmatro 2023-11-30

While the greatest care has been devoted to the content, it is possible that the information in this printed matter is incorrect or incomplete. Holmatro B.V. and its affiliated companies (hereafter: Holmatro) cannot be held liable in any way for the consequences of activities undertaken on the basis of this printed matter. Values can vary within the manufacturer measurements. If you have any doubts about the correctness or completeness of the information, you shall contact Holmatro (T +31 (0)162-751480). Nothing from this printed matter can be copied and/or made public in any way without the explicit authorisation of Holmatro.