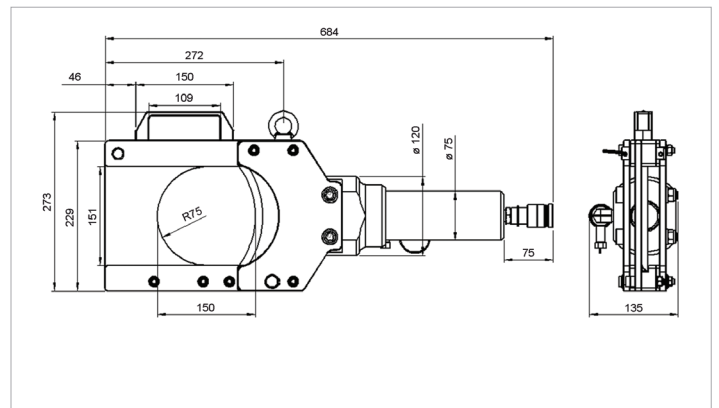


Technical specification sheet

HCC 150 | Guillotine Cable Cutter

Specifications		
article number		100.522.150
model		HCC 150
cutter type		power cable
short description		Guillotine Cable Cutter
max. working pressure	bar/Mpa	720 / 72
max. jaw opening	mm	150
capacity Ø ground cable	mm	140
capacity Ø telephone cable	mm	145
capacity	kN/t	203.6 / 20.8
required oil content (effective)	cc	245
return type		hydraulic
weight, ready for use	kg	24.9



holmatro.com

© Holmatro 2024-04-18

While the greatest care has been devoted to the content, it is possible that the information in this printed matter is incorrect or incomplete. Holmatro B.V. and its affiliated companies (hereafter: Holmatro) cannot be held liable in any way for the consequences of activities undertaken on the basis of this printed matter. Values can vary within the manufacturer measurements. If you have any doubts about the correctness or completeness of the information, you shall contact Holmatro (T +31 (0)162-751480). Nothing from this printed matter can be copied and/or made public in any way without the explicit authorisation of Holmatro.