

Technical specification sheet

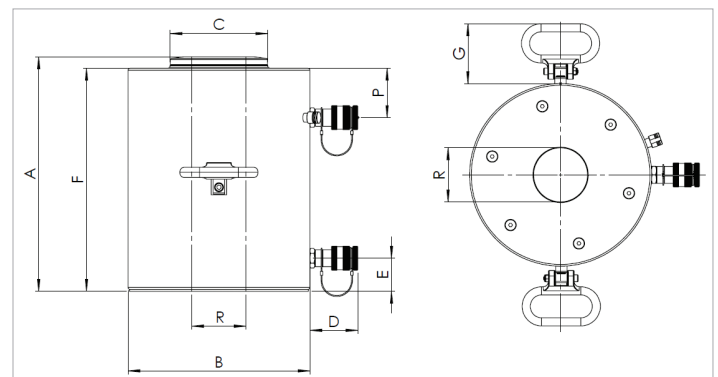
HAHC150H15 | Aluminum Hollow Plunger Cylinder

Specifications		
article number		100.112.388
short description		Aluminum Hollow Plunger Cylinder
model		HAHC150H15
max. working pressure	psi	10443
tonnage	lb	330693.0
stroke	in	5.9
closed height	in	13.7
capacity	lbf	344182
capacity (retract)	lbf	191537
effective pressure area (press)	sq. in.	33
effective pressure area (retract)	sq. in.	18.4
required oil content (effective)	oz	47.8
required oil content (press)	oz	107.9
required oil content (retract)	oz	60.1
connection		A 118
cylinder type		hollow plunger
acting type		double
return type		hydraulic
material		aluminium
weight, ready for use	lb	123.5
ASME		B30.1

Technical drawing dimensions		
dimension A	in	13.7
dimension B	in	11.2
dimension C	in	5.3
dimension D	in	3.1
dimension E	in	1.9
dimension F	in	13
dimension G	in	3.5
dimension P	in	2.9
dimension R	in	3.1

Standard supplied with	
• High flow female coupler A118	
• Hollow saddle; prevents damage to the plunger	
• Larger cylinders are equipped with foldable handles for easy carrying and positioning	

Accessories	
Saddle TRS150	101.000.909



holmatro.com

© Holmatro 2023-11-29

While the greatest care has been devoted to the content, it is possible that the information in this printed matter is incorrect or incomplete. Holmatro B.V. and its affiliated companies (hereafter: Holmatro) cannot be held liable in any way for the consequences of activities undertaken on the basis of this printed matter. Values can vary within the manufacturer measurements. If you have any doubts about the correctness or completeness of the information, you shall contact Holmatro (T +31 (0)162-751480). Nothing from this printed matter can be copied and/or made public in any way without the explicit authorisation of Holmatro.