

Technical specification sheet

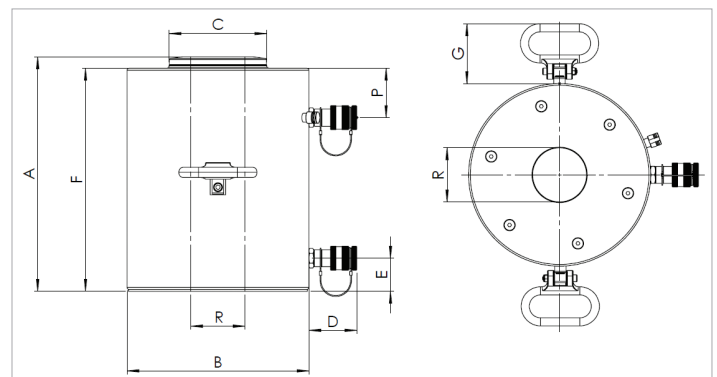
HAHC100H5 | Aluminum Hollow Plunger Cylinder

Specifications		
article number		100.112.381
short description		Aluminum Hollow Plunger Cylinder
model		HAHC100H5
max. working pressure	psi	10443
tonnage	lb	220462.0
stroke	in	2
closed height	in	9
capacity	lbf	231328
capacity (retract)	lbf	96893
effective pressure area (press)	sq. in.	22.1
effective pressure area (retract)	sq. in.	9.3
required oil content (effective)	oz	14
required oil content (press)	oz	24.2
required oil content (retract)	oz	10.1
connection		A 118
cylinder type		hollow plunger
acting type		double
return type		hydraulic
material		aluminium
weight, ready for use	lb	62.2
ASME		B30.1

Technical drawing dimensions		
dimension A	in	9
dimension B	in	9.6
dimension C	in	5.5
dimension D	in	3.1
dimension E	in	1.6
dimension F	in	8.4
dimension G	in	3.5
dimension P	in	2.7
dimension R	in	3.1

Standard supplied with	
• High flow female coupler A118	
• Hollow saddle; prevents damage to the plunger	
• Larger cylinders are equipped with foldable handles for easy carrying and positioning	

Accessories	
Saddle TRS100	101.000.762



holmatro.com

© Holmatro 2023-11-29

While the greatest care has been devoted to the content, it is possible that the information in this printed matter is incorrect or incomplete. Holmatro B.V. and its affiliated companies (hereafter: Holmatro) cannot be held liable in any way for the consequences of activities undertaken on the basis of this printed matter. Values can vary within the manufacturer measurements. If you have any doubts about the correctness or completeness of the information, you shall contact Holmatro (T +31 (0)162-751480). Nothing from this printed matter can be copied and/or made public in any way without the explicit authorisation of Holmatro.