

Technical specification sheet

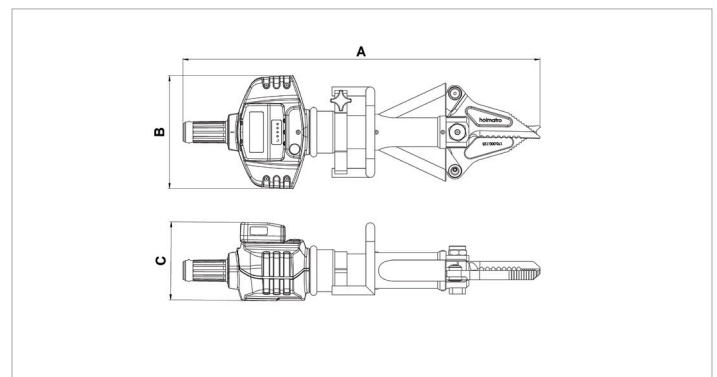
BCU 10 A 40 | Battery Cutter

Specifications		
article number		170.012.133
model		BCU 10 A 40
max. working pressure	psi	7252
blade type		40 straight
cutter type		mobile
short description		Battery Cutter
battery included		no
max. spreading force	lbf	20682
max. spreading opening	in	12
max. cutting force	lbf	59350
max. cutting opening	in	11.7
protection rate		IP54
sound emission @ 1m/3.25ft	dB(A)	74
sound emission @ 4m/13ft	dB(A)	65
required oil content (effective)	oz	2.8
weight, ready for use	lb	43.2
temperature range	°F	-4 +131

Technical drawing dimensions		
dimension A	in	34.5
dimension B	in	10.9
dimension C	in	7.6

Required Accessories	
Greenline Battery Charger BCH1 EU	150.182.208
Greenline Battery Charger BCH2	150.182.209
Greenline Battery Charger BCH3	150.182.286
Greenline Battery BPA286	151.000.307

Accessories	
Carrying Strap	150.182.249
Blades, Set 10 Cable	170.013.047
Blades, Set 30 Standard	170.013.042



holmatro.com

© Holmatro 2024-05-04

While the greatest care has been devoted to the content, it is possible that the information in this printed matter is incorrect or incomplete. Holmatro B.V. and its affiliated companies (hereafter: Holmatro) cannot be held liable in any way for the consequences of activities undertaken on the basis of this printed matter. Values can vary within the manufacturer measurements. If you have any doubts about the correctness or completeness of the information, you shall contact Holmatro (T +31 (0)162-751480). Nothing from this printed matter can be copied and/or made public in any way without the explicit authorisation of Holmatro.