

Technical specification sheet

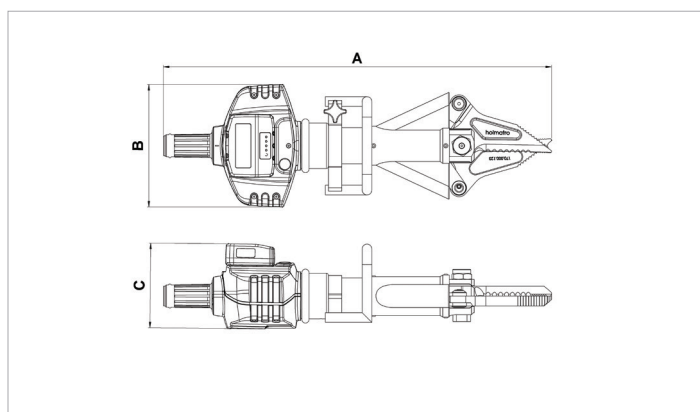
BCU 10 A 40 | Battery Cutter

Specifications		
article number		170.012.133
model		BCU 10 A 40
blade type		40 straight
cutter type		mobile
short description		Battery Cutter
battery included		no
max. working pressure	bar/Mpa	500 / 50
max. spreading opening	mm	305
max. cutting opening	mm	296
max. spreading force	kN/t	92 / 9.4
max. cutting force	kN/t	264 / 26.9
protection rate		IP54
sound emission @ 1m/3.25ft	dB(A)	74
sound emission @ 4m/13ft	dB(A)	65
required oil content (effective)	cc	84
weight, ready for use	kg	19.6
temperature range	°C	-20 +55
max. cutting thickness flat bar (S235 acc. to EN 10025), based on strip width 10mm/0,4in	mm	20
number of cuts per day		10
number of operating hours per day		1

Technical drawing dimensions		
dimension A	mm	877
dimension B	mm	277
dimension C	mm	192

Required Accessories	
Greenline Battery Charger BCH1 EU	150.182.208
Greenline Battery Charger BCH2	150.182.209
Greenline Battery Charger BCH3	150.182.286
Greenline Battery BPA286	151.000.307

Accessories	
Carrying Strap	150.182.249
Blades, Set 10 Cable	170.013.047
Blades, Set 30 Standard	170.013.042



holmatro.com

© Holmatro 2024-07-02

While the greatest care has been devoted to the content, it is possible that the information in this printed matter is incorrect or incomplete. Holmatro B.V. and its affiliated companies (hereafter: Holmatro) cannot be held liable in any way for the consequences of activities undertaken on the basis of this printed matter. Values can vary within the manufacturer measurements. If you have any doubts about the correctness or completeness of the information, you shall contact Holmatro (T +31 (0)162-751480). Nothing from this printed matter can be copied and/or made public in any way without the explicit authorisation of Holmatro.