

Technical specification sheet

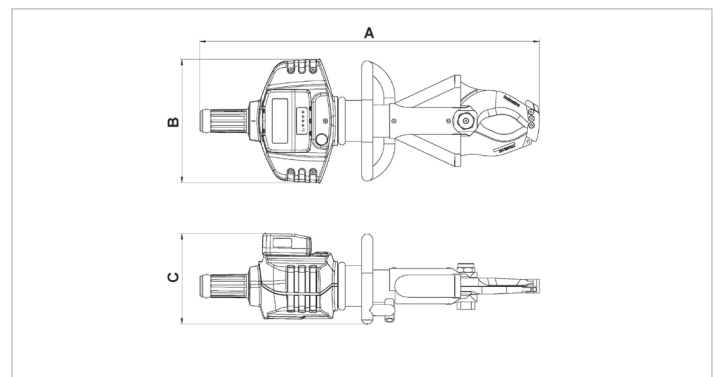
BCU 05 A 10 | Battery Cutter

Specifications		
article number		170.012.126
model		BCU 05 A 10
max. working pressure	psi	7252
blade type		10 cable
cutter type		mobile
short description		Battery Cutter
battery included		no
max. cutting force	lbf	23380
max. cutting opening	in	3.7
protection rate		IP54
sound emission @ 1m/3.25ft	dB(A)	74
sound emission @ 4m/13ft	dB(A)	65
required oil content (effective)	oz	1.3
weight, ready for use	lb	32.4
temperature range	°F	-4 +131
max. cutting diameter power cable	in	2.8
number of cuts per day		10
number of operating hours per day		1

Technical drawing dimensions		
dimension A	in	30.1
dimension B	in	10.9
dimension C	in	8

Required Accessories	
Greenline Battery Charger BCH1 EU	150.182.208
Greenline Battery Charger BCH2	150.182.209
Greenline Battery Charger BCH3	150.182.286
Greenline Battery BPA286	151.000.307

Accessories	
Carrying Strap	150.182.249
Blades, Set 30 Standard (ICU 05)	170.013.056



holmatro.com

© Holmatro 2024-07-02

While the greatest care has been devoted to the content, it is possible that the information in this printed matter is incorrect or incomplete. Holmatro B.V. and its affiliated companies (hereafter: Holmatro) cannot be held liable in any way for the consequences of activities undertaken on the basis of this printed matter. Values can vary within the manufacturer measurements. If you have any doubts about the correctness or completeness of the information, you shall contact Holmatro (T +31 (0)162-751480). Nothing from this printed matter can be copied and/or made public in any way without the explicit authorisation of Holmatro.