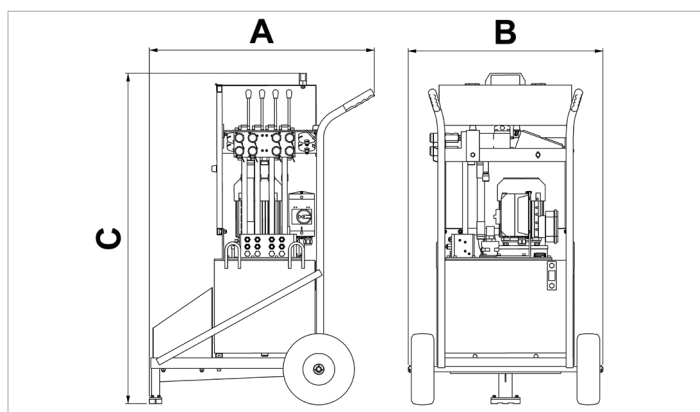


Technical specification sheet

04 Q 50 D + 4MV | Quattro Pump

Specifications		
article number		170.152.064
model		04 Q 50 D + 4MV
max. working pressure	bar/Mpa	550 / 55
short description		Quattro Pump
capacity oil tank (effective)	cc	50000
number of outputs		4
number of stages		2
first stage output / min.	cc	100
second stage output / min.	cc	400
first stage pressure range	bar/Mpa	0 - 170 / 0 - 17
second stage pressure range	bar/Mpa	170 - 550 / 17 - 55
operator type		electric motor
engine		230 VAC - 2.2 kW - 50 Hz - 1 Ph
speed	rpm	2850
weight, ready for use	kg	215.0

Technical drawing dimensions		
dimension A	mm	850
dimension B	mm	735
dimension C	mm	1250



holmatro.com

© Holmatro 2023-12-20

While the greatest care has been devoted to the content, it is possible that the information in this printed matter is incorrect or incomplete. Holmatro B.V. and its affiliated companies (hereafter: Holmatro) cannot be held liable in any way for the consequences of activities undertaken on the basis of this printed matter. Values can vary within the manufacturer measurements. If you have any doubts about the correctness or completeness of the information, you shall contact Holmatro (T +31 (0)162-751480). Nothing from this printed matter can be copied and/or made public in any way without the explicit authorisation of Holmatro.